

Protean™ Workcell

A Flexible, Multi-Level Workcell That Renders Tabletop Systems Obsolete

The Hudson Robotics Protean™ Workcell is a creative and cost-effective high-density workcell designed to save laboratory space and increase productivity. Leaving a tabletop behind, the Protean™ Workcell conserves valuable laboratory square footage by utilizing the vertical space above and below what a traditional table surface would provide. Flexibility of design allows the automation of unique high-throughput workflows and the ability to quickly and easily reconfigure the workcell for new protocols as laboratory requirements evolve.

The central Core of the Protean™ Workcell incorporates Hudson's SciClops Plus robotic arm, an extended vertical reach robot that provides for multiple levels of instrument access and the ability to quickly and easily teach microplate positions using its unique teach-assist vision system. Standard configurations of the Core also include 5 microplate stacks and a barcode reader. For extended capacity, the Core can be equipped with an optional Microplate Stack Carousel Storage System that facilitates robotic access to hundreds of microplates, tip boxes and reservoirs.

Arraying one, two or three Nodes around the Core provides the ability to create a Protean™ Workcell with up to 9 levels of instrument space. Node options are available with capacities of up to three instrument levels each, and lower levels of each Node are equipped with manual slide-outs as a standard feature to allow for easy access to instrumentation.

The Protean™ Workcell comes equipped with Hudson's intuitive and easy-to-use SoftLinX Protocol Builder and Player Software Suite.

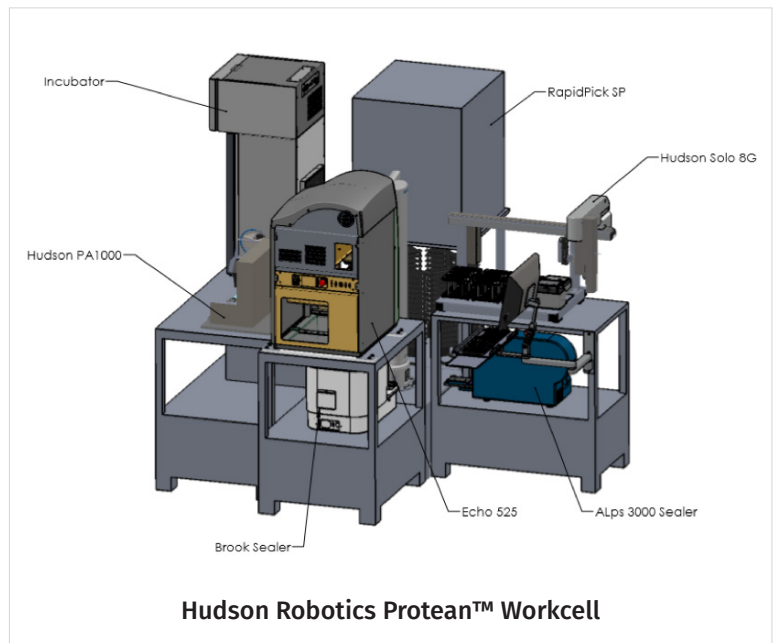


Figure 1. Protean™ Workcell with Two Nodes

Design A Workcell That Meets Your Needs

The modular design of the Protean™ Workcell and the ability to optically self-teach microplate positions makes it easy to quickly switch instruments in the existing footprint. Nodes are equipped with wheels, so they can easily be added, removed or reconfigured.

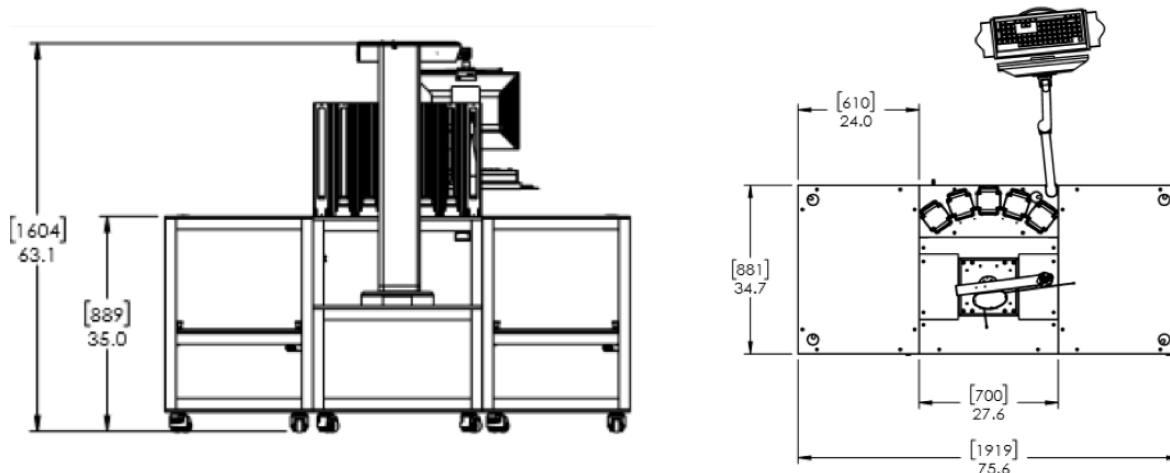


Figure 2: Protean™ Workcell with 2 Nodes

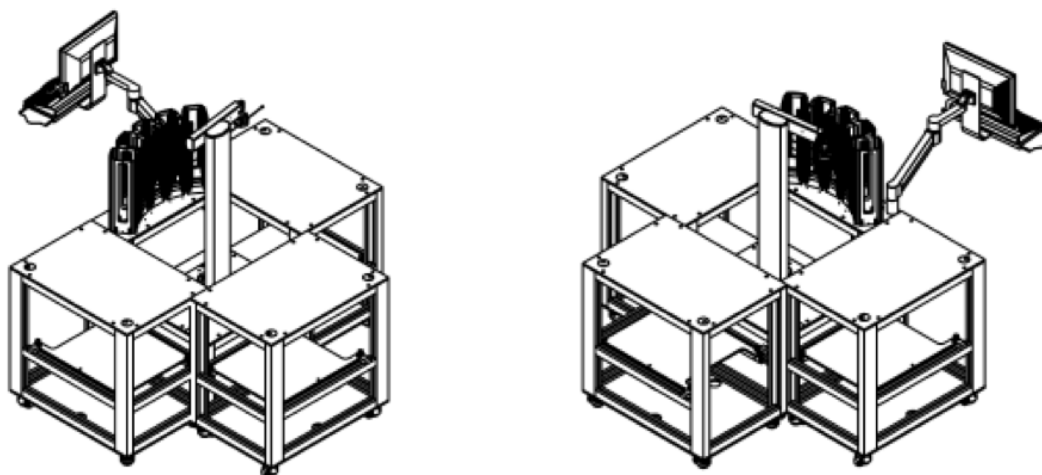


Figure 3: Protean™ Workcell with 3 Nodes

Contact Hudson Robotics today to see how we can help you with a space-saving, flexible Protean™ Workcell design for your lab.

Call **(973) 376-7400** or email **info@hudsonrobotics.com**

About Hudson Robotics

Hudson Robotics is a leading provider of laboratory robotics specializing in microplate automation, liquid handling and customized software-driven solutions for life-science research. We specialize in automation systems for biotech, pharmaceutical development, high throughput screening, proteomics and genomics

© Copyright 2019. Hudson Robotics, Inc. All rights reserved. The trademarks mentioned herein are the property of Hudson Robotics or their respective owners. 0012.19.2